

BAXI

Platinum Combi HE

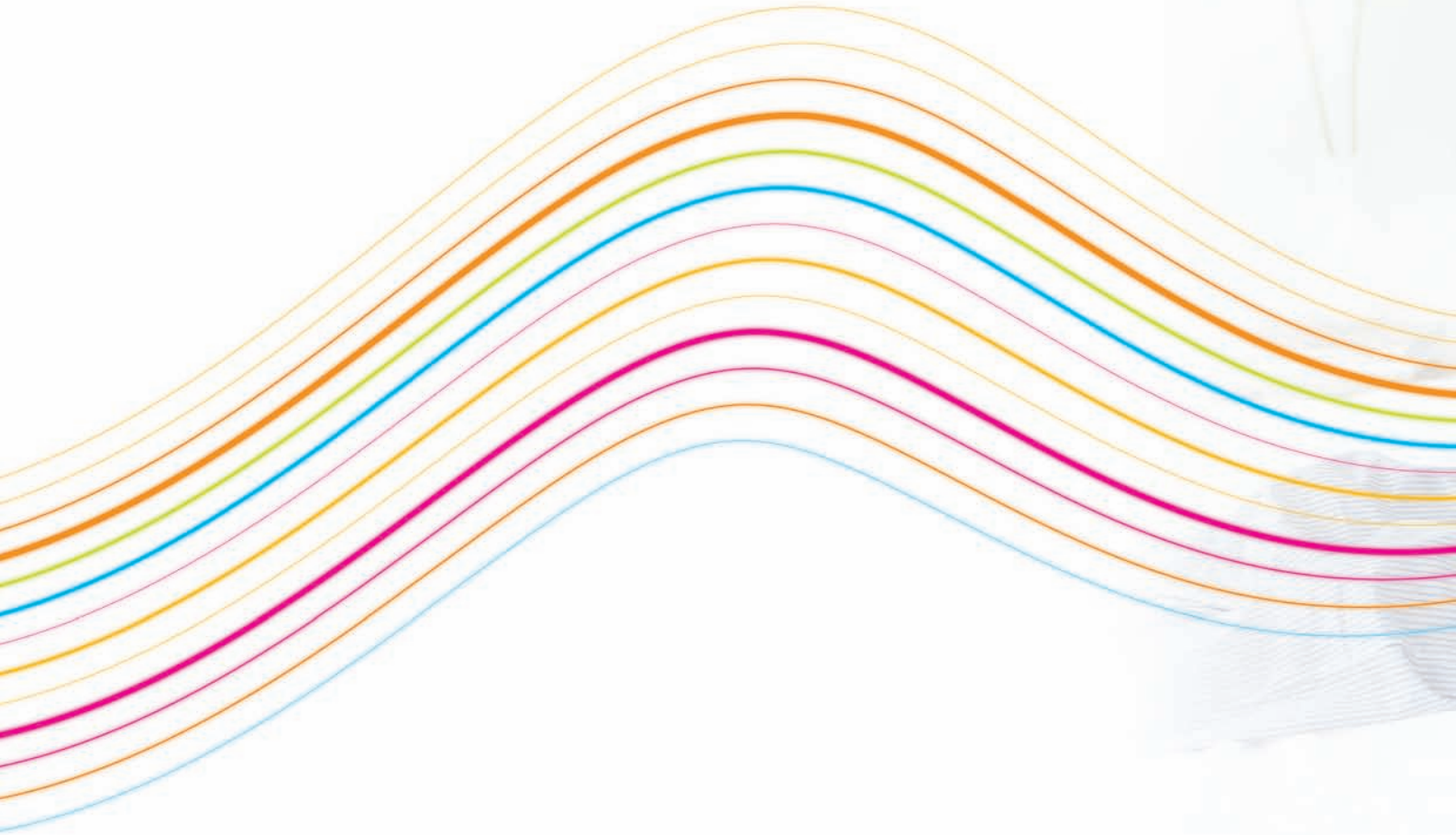


SEDBUK
Band A





With a 5 year warranty*,
it's all taken care of.



You may not be able to see it, but warmth is extremely important to all of us. We should know - we've been combining a passion for technology with our experience to warm homes for over a century and a half. But we also know how important peace of mind is, particularly when buying a boiler - the Baxi Platinum Combi HE offers more than any other.

That's because it's backed by an industry-leading 5 year parts and labour warranty*, with an unbeatable combination of reliability, optimum performance and intelligent design.

Its proven boiler technology is tested in our new state-of-the-art facility for reliability. And with a SEDBUK Band 'A' rating - it provides maximum heating and hot water performance with minimum running costs. Its intelligent control system automatically adjusts heat output.

There are four boilers in the Baxi Platinum Combi range, 24kW, 28kW, 33kW and 40kW, so whatever your needs, there'll be a boiler capable of meeting your requirements.



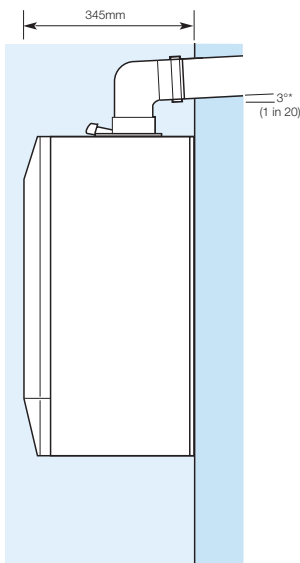
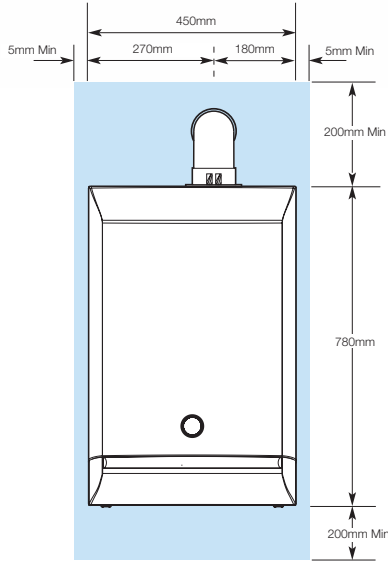
Key features & benefits:

- 5 year parts and labour warranty* for complete peace of mind
- Intelligent design features make using and installing easier
- Stylish, contemporary look to suit any surroundings
- 40kW option for exceptional hot water performance
- High performance stainless steel heat exchanger for improved fuel efficiency
- High efficiency and lower greenhouse gas emissions, to help protect the environment

*Subject to registration and an annual service.

“It’s a lovely feeling,
being looked after.”

Dimensions and clearances



5mm Min
In Operation
450mm Min
For Servicing
Purposes

Baxi Platinum Combi HE Series: Wall mounted high efficiency combination boilers		24 kW	28 kW	33 kW	40 kW
CONTROLS					
Concealed User Controls		Yes	Yes	Yes	Yes
On/Off Switch with Reset		Yes	Yes	Yes	Yes
User Adjustable DHW Temperature		Yes	Yes	Yes	Yes
User Adjustable CH Temperature		Yes	Yes	Yes	Yes
LED Temp/Status/Fault Diagnosis Display		2 digits/3 LEDs	2 digits/3 LEDs	2 digits/3 LEDs	2 digits/3 LEDs
Integral 24 hour Electro-mechanical Timer		Fitted as standard	Fitted as standard	Fitted as standard	Fitted as standard
Remote 7 day Programmable Room Thermostat		Optional extra	Optional extra	Optional extra	Optional extra
Integral 7 day Electronic Timer		Optional extra	Optional extra	Optional extra	Optional extra
Wireless 24 hour Analogue Programmable Room Thermostat		Optional extra	Optional extra	Optional extra	Optional extra
GAS					
Heat Output CH Non Condensing (70° Mean)	kW Max	24	24	28	32
	kW Min	6.8	8.7	9.4	9.6
Heat Output CH Condensing (40° Mean)	kW Max	25.9	25.9	30.3	34.4
	kW Min	7.4	9.5	10.2	12.1
Heat Output Domestic Hot Water	kW Max	24	28	33	40
Maximum Domestic Hot Water Flow Rate	l/min @ 35°C Rise	9.8	11.5	13.5	16
SEDBUK Rating Band		A	A	A	A
NO _x Class		5	5	5	5
ELECTRICAL					
Power Consumption	Watts	155	155	160	160
Integral Boiler Only Frost Thermostat		Yes	Yes	Yes	Yes
24 hour Pump Exercise		Yes	Yes	Yes	Yes
MECHANICAL & HYDRAULIC					
Compartment Ventilation Requirement		None	None	None	None
Pre-plumbing/Wall Mounting Jig		Yes	Yes	Yes	Yes
Temporary Filling Loop included		Yes	Yes	Yes	Yes
Stand Off Kit (for pipe off runs behind boiler)		Optional extra	Optional extra	Optional extra	Optional extra

* The 3 degree fall back on concentric flues can be reduced to 1.5 degrees providing the flue system is adequately clamped in accordance with the installation instructions.

To arrange an engineer visit for a product breakdown or an annual service

0870 060 3060

Open Monday – Friday, 8am – 6pm

Weekends and Bank Holidays, 8.30am – 2pm

We are closed on Christmas Day and New Years Day

To request product literature

0870 606 0623

Open Monday – Friday, 8am – 5pm



Baxi Heating UK Ltd.
Brooks House, Coventry Road,
Warwick CV34 4LL

www.baxi.co.uk



FM35908
BSEN ISO 9001
QUALITY MANAGEMENT
SYSTEMS STANDARD



Baxi policy is one of continual improvement and development. The right to change specification and appearance without prior notice is reserved. The reproduction of colours is an accurate as photographic and printing processes allow. The consumer's statutory rights are not affected.